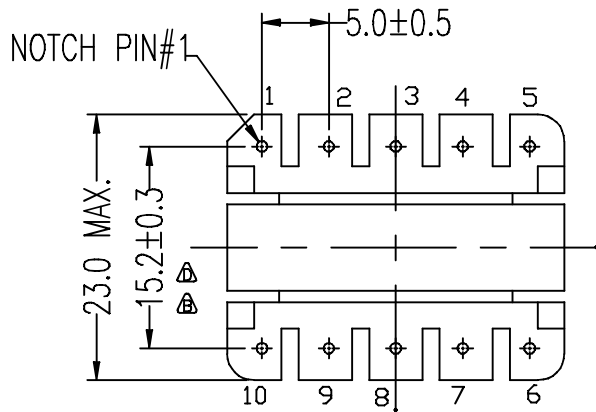
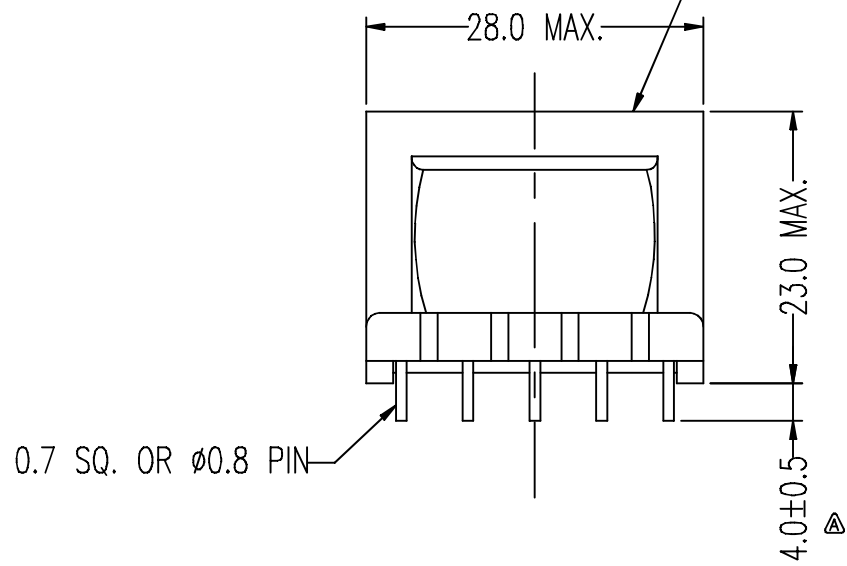
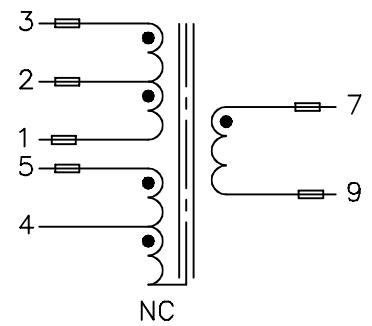


ATS-1227R
Atech yyww



PIN 6,8,10 CUT OFF
 PIN 2 : CUT 2/3 尺寸不可超出
 BOBBIN凸點



ELECTRICAL CHARACTERISTICS:

1. DCR : PIN 3-1 = 1.2Ω MAX.
 PIN 5-4 = 0.3Ω MAX.
 PIN 7-9 = 30mΩ MAX.
2. INDUCTANCE : (@1KHz, 1.0Vrms) : PIN 3-1 = 700uH ±10%
- △ 3. TURN RATIO : (@100KHz, 0.1Vrms) :
 PIN 3-2 : 2-1 = 1.081 ±3%
 PIN 3-2 : 5-4 = 2.5 ±3%
 PIN 3-2 : 7-9 = 5.0 ±3%
4. LEAKAGE INDUCTANCE : (@100KHz ,1V)
 PIN 3-1 = 14uH MAX (PIN 4,5,7,9 SHORT)
5. HI-POT : (@3KVAC, 5mA, 3SEC) : PRI-SEC
 (@1KVAC, 5mA, 3SEC) : PRI-CORE
 (@1KVAC, 5mA, 3SEC) : SEC-CORE
6. RoHS COMPLIANCE

								TITLE TRANSFORMER	
								DWG. NO. ATS-1227R	
RELEASE						UNITS:		SAFETY	
NO: DESCRIPTION						DATE		P/N:	
DATE						BY		DRAW	
DATE						CHK		SHEET 1 of 1	
DATE						APPD		DRAW	
REVISIONS									